

STK SERIES

TE Range



STK Series Light Duty Hand Crank

The STK Series is designed for 10mm or 12mm internal diameter hose, for medium pressure air and water applications. They are manual crank rewind reels with a pressure balanced brass swivel assembly and brass inlet. The forward thinking design makes the CU Series an economic choice for storing and retrieving hose.

Series STK made from deep-drawn sheet steel of the highest quality, powder coated, with the following characteristics:

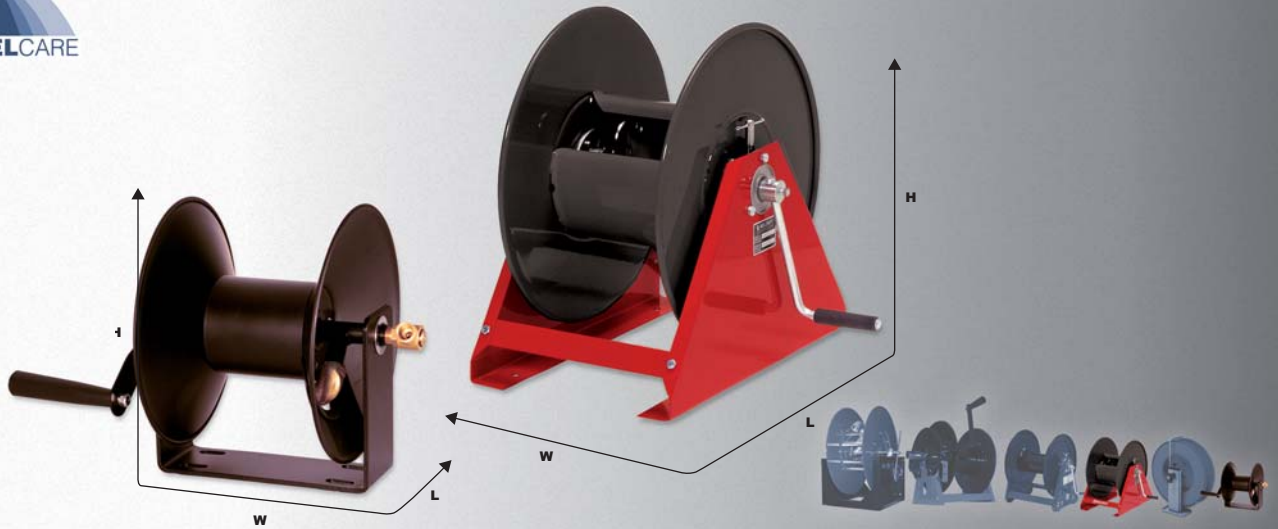
- Hinged crank handle
- Continuously adjustable braking and locking device.
- Steel shackle to prevent the hose over rolling.
- Synthetic gliding bearing bushes with zero maintenance.
- Solid angular swivel with zero maintenance.
- Housing made from hard anodized aluminium die casting alloy.
- Axles made from stainless steel.



- ▶ **Stainless steel axle**
- ▶ **Upto 300 Bar**
- ▶ **Weighs Under 7KG**
- ▶ **Unique Design**

STK Series

MODELS	I.D.		O.D.	LENGTH		PRESSURE		CONNECTION		WEIGHT	DIMENSIONS			
	without hose	mm		inch	mm	m	ft	Bar	PSI		inlet	outlet	without hose	W
Low Pressure Air & Water														
STK14/10		10	3/8	15	26	86	200	2900	3/8	3/8	6.2	218	400	437
STK14/12		12	1/2	21	15	50	300	4350	1/2	1/2	6.2	218	400	437
STK20/10		10	3/8	15	40	132	200	2900	3/8	3/8	6.8	218	460	500
STK20/12		12	1/2	21	21	70	300	4350	1/2	1/2	6.8	218	460	500



CU & H SERIES

SR Range



CU Series Light Duty Hand Crank

The CU Series is designed for 6mm or 10mm internal diameter hose, for low pressure air and water applications. They are manual crank rewind reels with a pressure balanced brass swivel assembly and brass inlet. The forward thinking design makes the CU Series an economic choice for storing and retrieving hose.

- ▶ **Supplied Without Hose**
- ▶ **Excellent Value**
- ▶ **Weighs Under 5KG**
- ▶ **Unique Design**

H Series Versatile Hand Crank

The H Series is an economical reel designed for low and medium pressure applications that require long lengths of hose up to 3/4" (19mm) internal diameter. The H Series is suited to many applications; plant or field, lawn care, pest control, pressure cleaning and many more. The low pressure hose reels are for air or water service only. The medium pressure reels can be used for air water or oil. Consult Reelcare if you are unsure; the sales department are there to help and will be more than happy to advise.

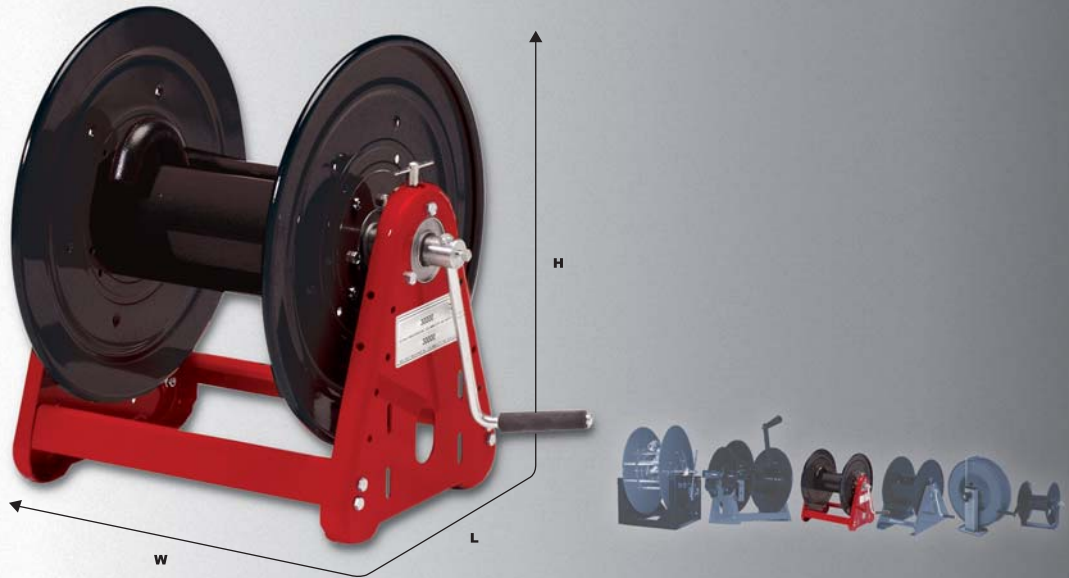
CU Series

MODELS without hose	I.D.		O.D. mm	LENGTH		PRESSURE		CONNECTION		WEIGHT without hose	DIMENSIONS		
	mm	inch		m	ft	Bar	PSI	inlet	outlet		W	L	H
Low Pressure Air & Water													
CU6050 LN	10	3/8	18	15	50	18	250	3/8	3/8	4.5	286	280	296
CU6100 LN	10	3/8	18	30	100	18	250	3/8	3/8	6	397	280	296

H Series

MODELS without hose	I.D.		O.D. mm	LENGTH		PRESSURE		CONNECTION		WEIGHT without hose	DIMENSIONS		
	mm	inch		m	ft	Bar	PSI	inlet	outlet		W	L	H
Low Pressure Air & Water													
H18000	12	1/2	22	60	200	69	1000	1/2	1/2	15	318	508	493
H28000	12	1/2	22	90	300	69	1000	1/2	1/2	17	470	508	493
H19000	19	3/4	31	30	100	69	1000	3/4	3/4	15	318	508	493
H29000	19	3/4	31	46	150	69	1000	3/4	3/4	17	470	508	493
Medium Pressure Air, Water & Oil													
H18000 M	12	1/2	22	60	200	210	3000	1/2	1/2	16	318	508	493
H28000 M	12	1/2	22	90	300	210	3000	1/2	1/2	19	470	508	493
H19000 M	19	3/4	31	24	80	210	3000	3/4	3/4	16	318	508	493
H29000 M	19	3/4	31	38	125	210	3000	3/4	3/4	19	470	508	493

H Series is available in stainless steel, see page 39



30000 SERIES

SR Range



Versatile hand crank

Reelcare's 30000 Series reels with large storage capacity are designed for harsh, heavy duty applications that require long lengths of hose. The 30000 Series come in manual and motor driven versions and have many configurations. 30000 Series reels are manufactured from high quality steel components which are individually powder coated to give added corrosion resistance. Each reel is supplied complete with a full flow swivel assembly to allow for maximum product delivery. Available to suit maximum lengths of the following hose sizes: 300m - 1/4", 210m - 3/8", 150m - 1/2", 84m - 3/4", & 53m - 1"

All reels sold without hose, price available on application.

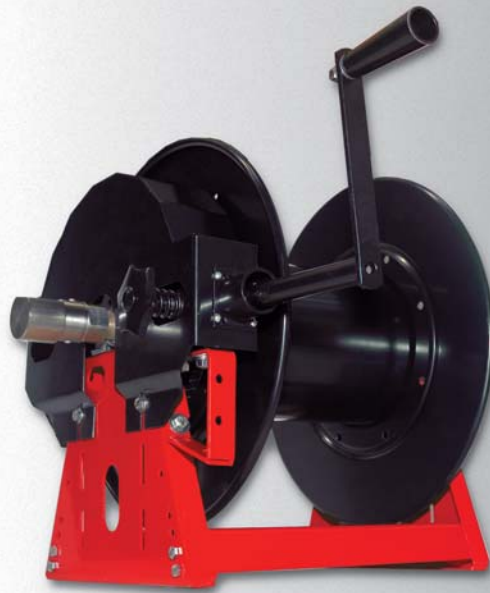
Hose Cart

Model Number	Suitable for models
600741-1	Fits CAXXX12X118
600885-1	Fits CAXXX18X118



Further models are available in addition to the table below, consult Reelcare for more information.

MANUAL without hose	I.D.		O.D. mm	LENGTH		PRESSURE		CON. inlet	WEIGHT kg	DIMENSIONS		
	mm	inch		m	ft	Bar	PSI			W	L	H
Low Pressure Air & Water												
CA37118 L118	25	1	35	30	100	35	500	1	25	787	451	514
CA37122 L118	25	1	35	45	150	35	500	1	27	889	451	514
CA37128 L118	25	1	35	54	175	35	500	1	30	1016	451	514
Medium Pressure Air, Water & Oil												
CA32106 M118	12	1/2	22	30	100	207	3000	1/2	18	483	451	514
CA32112 M118	12	1/2	22	60	200	207	3000	1/2	21	635	451	514
CA32118 M118	12	1/2	22	99	325	207	3000	1/2	25	787	451	514
CA32122 M118	12	1/2	22	120	400	207	3000	1/2	27	889	451	514
CA32128 M118	12	1/2	22	150	500	207	3000	1/2	30	1016	451	514
CA33106 M118	19	3/4	31	15	50	207	3000	3/4	18	483	451	514
CA33112 M118	19	3/4	31	30	100	207	3000	3/4	21	635	451	514
CA33118 M118	19	3/4	31	54	175	207	3000	3/4	25	787	451	514
CA33122 M118	19	3/4	31	68	225	207	3000	3/4	27	889	451	514
CA33128 M118	19	3/4	31	84	275	207	3000	3/4	30	1016	451	514



1200 SERIES

SR Range



Heavy duty manual reels

Heavy duty hose reel for use with hose sizes 1/2" to 1" I.D.

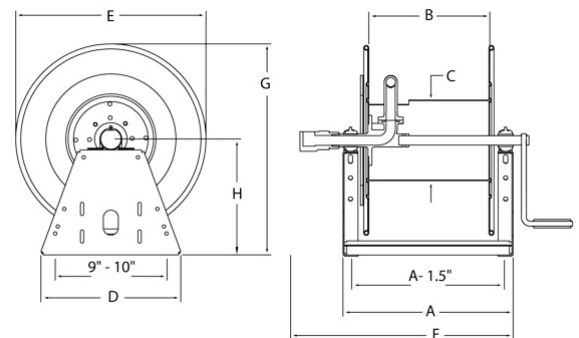
REWIND: Direct crank rewind or bevel gear drive (pictured above).

A pin lock assembly is optional on manual rewind reels.

INLET: 1/2" up to 1" female. 90° swivel assembly as standard. Inline swivel assembly is available as an accessory.

GOOSENECK: 1/2", 3/4", 1" female. Other sizes or threads are available and can be supplied when specified.

Models are listed without hose, hose available on request



MODEL	HOSE LENGTH			WEIGHT CRANK*		WEIGHT BEVEL*			A	B	C	D	E	F	F	G	H	
	ft	in	mm	LB	KG	LB	KG							CRANK	BEVEL			
1200-1910-6	ft	100	50	35	41	LB	48	LB	in	11	6	8	14	19	22	22	21	11.6
	m	30	15	11	19	KG	22	KG	mm	279	152	203	356	483	559	559	533	295
1200-19-12	ft	200	100	70	43	LB	50	LB	in	17	12	8	14	19	28	28	21	11.6
	m	61	30	21	20	KG	23	KG	mm	432	305	203	356	483	711	711	533	295
1200-19-18	ft	300	150	105	44	LB	51	LB	in	23	18	8	14	19	34	34	21	11.6
	m	91	46	32	20	KG	23	KG	mm	584	457	203	356	483	864	864	533	295
1200-19-22	ft	365	180	125	45	LB	52	LB	in	27	22	8	14	19	38	38	21	11.6
	m	111	55	38	20	KG	24	KG	mm	686	559	203	356	483	965	965	533	295
1200-19-28	ft	465	230	160	46	LB	53	LB	in	33	28	8	14	19	44	44	21	11.6
	m	142	70	49	21	KG	24	KG	mm	838	711	203	356	483	1118	1118	533	295
1200-23-6	ft	150	75	50	49	LB	56	LB	in	11	6	11.25	15.25	23	22	22	25.1	13.6
	m	46	23	15	22	KG	25	KG	mm	279	152	286	387	584	559	559	638	345
1200-23-12	ft	300	150	100	51	LB	58	LB	in	17	12	11.25	15.25	23	28	28	25.1	13.6
	m	91	46	30	23	KG	26	KG	mm	432	305	286	387	584	711	711	638	345
1200-23-18	ft	450	225	150	52	LB	59	LB	in	23	18	11.25	15.25	23	34	34	25.1	13.6
	m	137	69	46	24	KG	27	KG	mm	584	457	286	387	584	864	864	638	345
1200-23-22	ft	550	275	180	53	LB	60	LB	in	27	22	11.25	15.25	23	38	38	25.1	13.6
	m	168	84	55	24	KG	27	KG	mm	686	559	286	387	584	965	965	638	345
1200-23-28	ft	700	350	230	54	LB	61	LB	in	33	28	11.25	15.25	23	44	44	25.1	13.6
	m	213	107	70	24	KG	28	KG	mm	838	711	286	387	584	1118	1118	638	345



40 SERIES

SR Range



Large frame modular reels

The 40 Series revolutionary modular large frame design can be built to fit your space requirements. The 40 Series offers maximum strength yet is extremely lightweight, making it ideal for vehicle mounted applications. The anodised aluminium frame is combined with a stainless steel support shaft, stainless steel fasteners and powder coated flanges to offer the greatest amount of strength, corrosion resistance and durability.

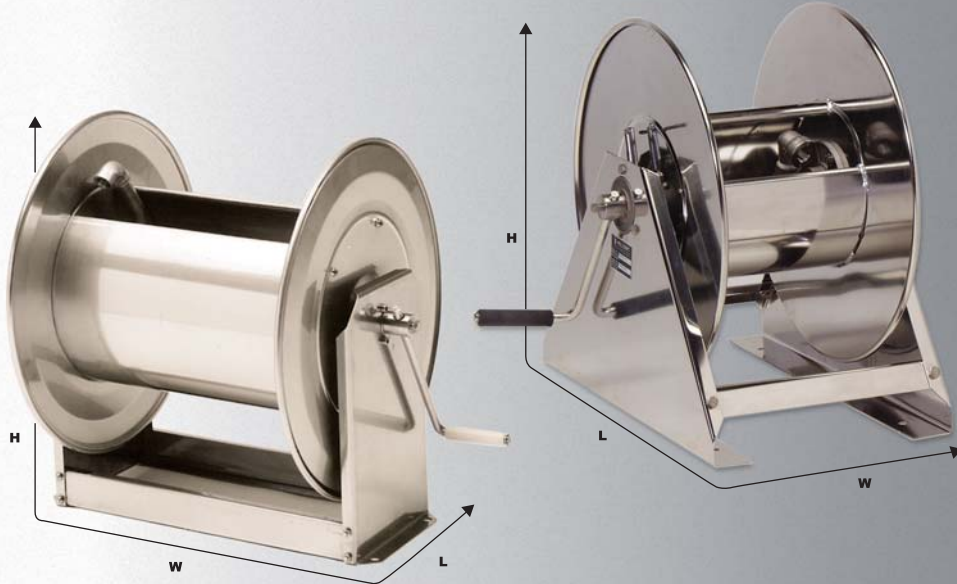
The 40 Series, in addition to the standard items listed below can also offer dimensional flexibility. If you have height, width or depth restrictions, it may be possible to custom build a 40 Series to suit your envelope size dependent on hose lengths and bore size.



Dimensional flexibility

Modular frames made from extruded aluminium allow the 40 Series to be custom made to any width specification. The flanges are also available in various sizes to accommodate restrictions in application height.

MODELS	PRESSURE	I.D.	LENGTH		DIMENSIONS			
			Bar	mm	in	m	ft	L
412101 CG 1LC70	41	25	1	30	100	635	502	660
412191 CG 1LC70	41	25	1	60	200	635	781	660
413221 CG 1LC70	41	25	1	100	325	737	806	737
422101 CG 1LC70	41	32	1 ¹ / ₄	25	80	635	502	660
422191 CG 1LC70	41	32	1 ¹ / ₄	45	140	635	781	660
423221 CG 1LC70	41	32	1 ¹ / ₄	75	250	737	806	737
432101 CG 1LC70	41	38	1 ¹ / ₂	15	50	635	502	660
432191 CG 1LC70	41	38	1 ¹ / ₂	30	100	635	781	660
433221 CG 1LC70	41	38	1 ¹ / ₂	60	200	737	806	737
412101 BG 1LC70	41	25	1	30	100	635	502	660
412191 BG 1LC70	41	25	1	60	200	635	781	660
413221 BG 1LC70	41	25	1	100	325	737	806	737
422101 BG 1LC70	41	32	1 ¹ / ₄	25	80	635	502	660
422191 BG 1LC70	41	32	1 ¹ / ₄	45	140	635	781	660
423221 BG 1LC70	41	32	1 ¹ / ₄	75	250	737	806	737
432101 BG 1LC70	41	38	1 ¹ / ₂	15	50	635	502	660
432191 BG 1LC70	41	38	1 ¹ / ₂	30	100	635	781	660
433221 BG 1LC70	41	38	1 ¹ / ₂	60	200	737	806	737



STAINLESS STEEL

STK & SR Range



STK manual rewind reels

The STK Series of manual direct crank reels are made from high quality stainless steel. The reel has many features that provide a high quality reel with smooth maintenance free operation in harsh environments.

HS Series manual rewind reels

Engineered from high grade 304 stainless steel, the HS Series are extremely rugged reels. Suitable for chemical transfer, caustic wash down, solvent handling, and marine applications where salt spray is harsh.

MODELS without hose	I.D.		O.D. m	LENGTH		PRESSURE		CONNECTION inlet	WEIGHT without hose	DIMENSIONS		
	mm	inch		m	ft	Bar	PSI			W	L	H
STK Series - Medium & Low Pressure Stainless Steel												
STKi2 20/12	12	1/2	22	35	115	200	2900	1/2	10.5	312	465	515
STKi2 20/19	19	3/4	28	20	65	200	2900	3/4	11.7	312	465	515
STKi2 20/24	24	1	35	15	50	100	1450	1	12	312	465	515
STKi2 40/12	12	1/2	22	70	230	200	2900	1/2	13.5	512	465	515
STKi2 40/19	19	3/4	28	40	130	200	2900	3/4	14.7	512	465	515
STKi2 40/24	24	1	35	33	110	100	1450	1	15	512	465	515
STKi2 50/12	12	1/2	22	85	280	200	2900	1/2	14.6	612	465	515
STKi2 50/19	19	3/4	28	50	165	200	2900	3/4	15.8	612	465	515
STKi2 50/24	24	1	35	43	140	100	1450	1	16.1	612	465	515
STKi2 60/12	12	1/2	22	100	330	200	2900	1/2	15.7	712	465	515
STKi2 60/19	19	3/4	28	60	200	200	2900	3/4	16.9	712	465	515
STKi2 60/24	24	1	35	52	175	100	1450	1	17.2	712	465	515
STKi2 70/12	12	1/2	22	115	380	200	2900	1/2	16.8	812	465	515
STKi2 70/19	19	3/4	28	70	230	200	2900	3/4	18	812	465	515
STKi2 70/24	24	1	35	61	200	100	1450	1	18.3	812	465	515
STKi2 80/12	12	1/2	22	130	425	200	2900	1/2	17.9	912	465	515
STKi2 80/19	19	3/4	28	80	260	200	2900	3/4	19.1	912	465	515
STKi2 80/24	24	1	35	70	230	100	1450	1	19.4	912	465	515

MODELS without hose	I.D.		O.D. m	LENGTH		PRESSURE		CONNECTION inlet	WEIGHT without hose	DIMENSIONS		
	mm	inch		m	ft	Bar	PSI			W	L	H
HS Series - Medium & Low Pressure Stainless Steel												
HS18000M	12	1/2	22	60	200	210	3000	1/2	15	318	508	483
HS28000M	12	1/2	22	90	300	210	3000	1/2	16	394	508	483
HS19000M	19	3/4	30	23	75	210	3000	3/4	16	318	508	483
HS29000M	19	3/4	30	38	125	210	3000	3/4	17	394	508	483
HS37000L70	25	1	38	30	100	35	500	1	21	530	534	573